

Construction, jointing and finishing exactly as Table (see Drawing 01 for details).

CUTTING LIST - 15mm MDF

STOOL (for 1 unit)

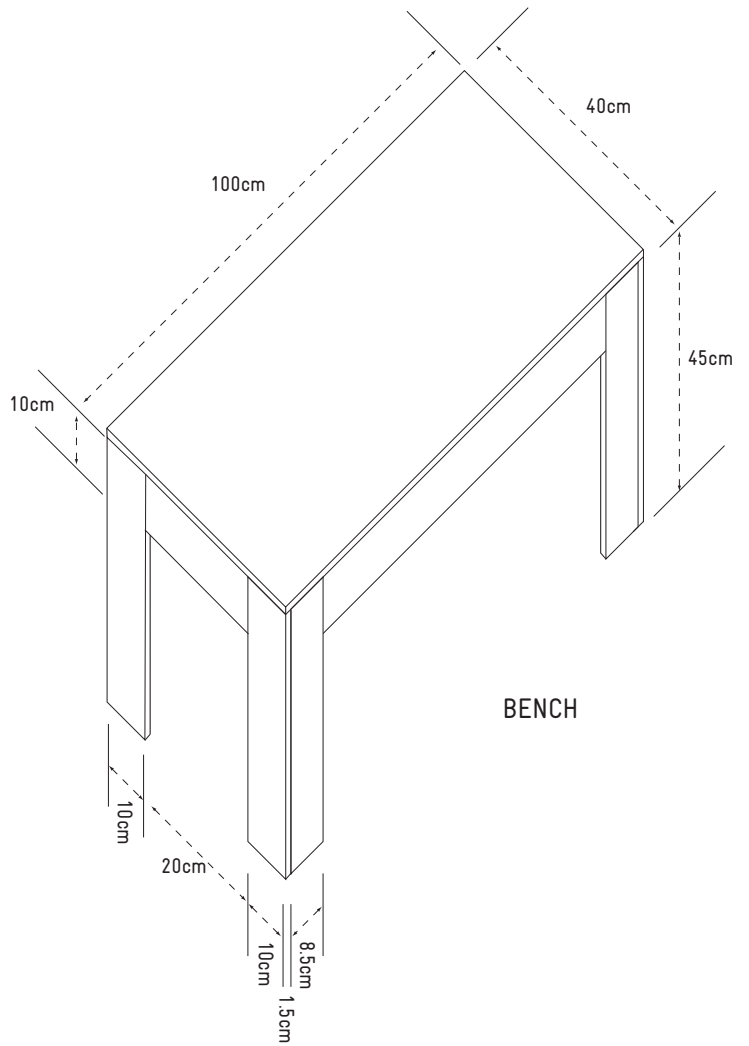
- A - top, 1 of 40cm x 40cm
- B - sides, 4 of 10cm x 20cm
- C - legs, 4 of 10cm x 45cm
- D - inside legs, 4 of 8.5cm x 45cm
- E - 'plates', 8 of 17cm x 9cm

CUTTING LIST - 15mm MDF

BENCH (for 1 unit)

- A - top, 1 of 40cm x 100cm
- B - long sides, 2 of 10cm x 80cm
- C - short sides, 2 of 10cm x 20cm
- D - legs, 4 of 10cm x 45cm
- E - inside legs, 4 of 8.5cm x 45cm
- F - 'plates', 8 of 17cm x 9cm

Table tops, glued onto frame, no other fixing.



BENCH

Bench, Stool

Drawing 02

approx. scale n/a

© Double agents/Graham Ellard 2005